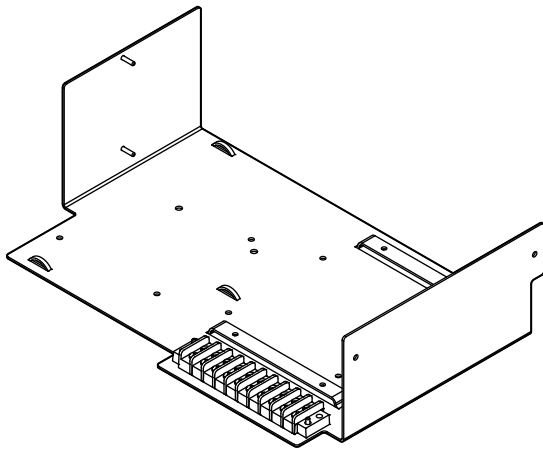


# MN-BRKT3F Mounting Bracket Installation Sheet

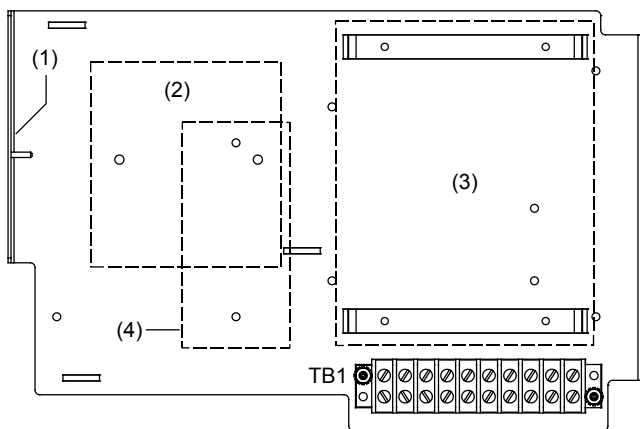


## Description

The MN-BRKT3F provides support for mounting MN Series components and a terminal block (TB1) for connecting field wires. See Figure 1.

For a list of compatible enclosures, see “Specifications” below. For component installation and wiring, see the component installation sheets.

Figure 1: Component mounting locations

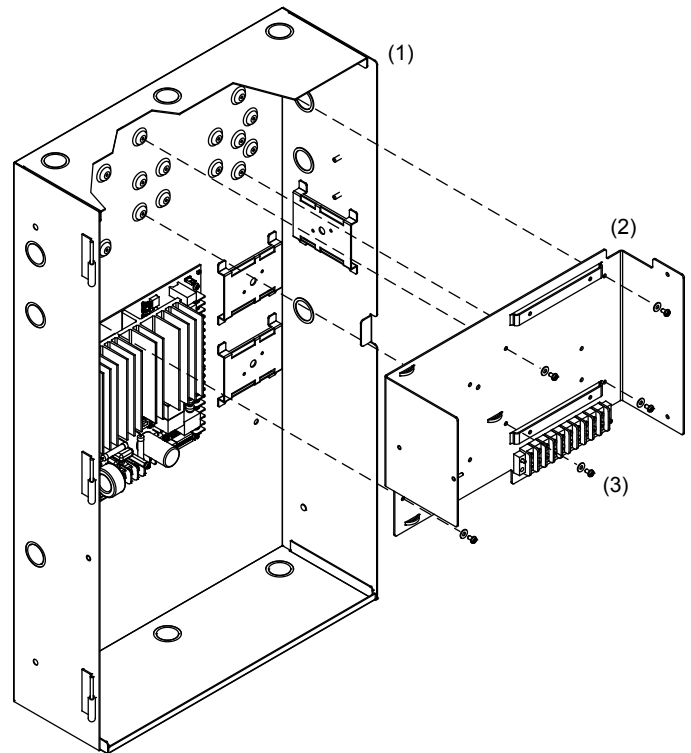


- (1) MN-COM1S
- (2) MN-FVPN
- (3) MN-FNS4C2F3 or MN-FNS8C2F3
- (4) MN-NETRLY4

## Installation

Install the MN-BRKT3F as shown in Figure 2.

Figure 2: Typical mounting

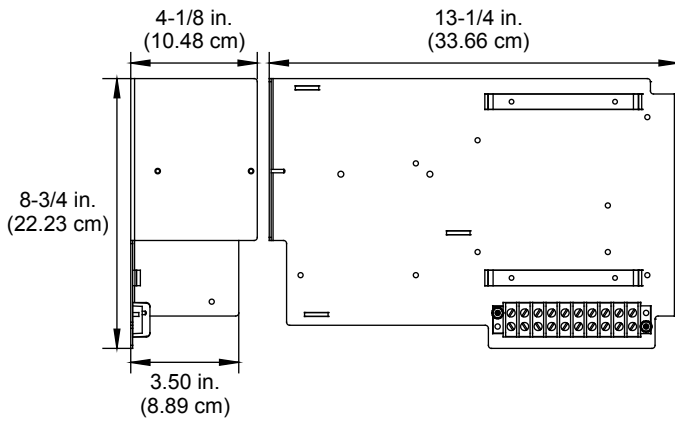


- (1) Compatible enclosure
- (2) MN-BRKT3F
- (3) #6-32 × 1/2 screw and #6 washer (5X)

## Specifications

TB1 contact ratings	
Voltage	300 VAC
Current	30 A
Wire size	12 to 22 AWG (0.5 to 4.0 mm <sup>2</sup> )
Dimensions	See Figure 3
Compatible enclosure	APS6A cabinet
Operating environment	
Temperature	32 to 120°F (0 to 49°C)
Relative humidity	0 to 93% noncondensing

**Figure 3: Dimensions**



## Regulatory information

Manufacturer	Edwards, A Division of UTC Fire & Security Americas Corporation, Inc. 8985 Town Center Parkway, Bradenton, FL 34202, USA
Year of manufacture	The first two digits of the DATE MFG number (located on the product identification label) are the year of manufacture.

## Contact information

For contact information, see [www.edwardsutcfs.com](http://www.edwardsutcfs.com).